



SOLAR SURVEILLANCE SKID

Caprock's innovative solution for smaller to medium-sized job sites seeking expanded coverage without access to traditional 120v power sources. The solar surveillance skid is a compact, mobile solar platform that integrates our cutting-edge pole camera technology, providing comprehensive surveillance where traditional power options are limited.

Designed with an industrial-grade skid for effortless placement, this solution offers unparalleled convenience and functionality.



SITE SECURITY

Live, 24/7, US based, monitoring services available. Alerts sent to you and/or your local law enforcement of suspicious activities.



REMOTE SITE MANAGEMENT

View your site live, 24/7, from any location, on any device.



STORED FOOTAGE

Each camera saves up to 14 days of rolling footage to conveniently access events that are not caught right away.



PTZ CAMERAS

Pan, tilt, and zoom cameras allow for remote camera repositioning when cameras need to be relocated.



PERIMETER WATCH

Monitor specific areas of concern while maintaining a full field of view.



SPECIFICATIONS

- 15' mast height
- 800W solar array
- 800 Ah of AGM batteries
- Cellular 4G LTE router
- Optional talk down speaker
- Lockable control housing
- Backup 120V AC battery charger
- Rugged, industrialized skid

PTZ CAMERA SPECIFICATION

- 2 x 2-megapixel 1920 x 1080 (PTZ)
- 25 x Optical Zoom
- 16 x Digital Zoom
- Up to 475' IR distance
- NDAA Compliant



STOWED DIMENSIONS:

- Length: 80"
- Width: 51"
- Height: 151"
- Weight: 1,750 lbs.

DEPLOYED DIMENSIONS:

- Length: 80"
- Width: 78"
- Height: 180"
- Weight: 4,500 lbs.

AVC-PHN21X25LW
2MP 25X NETWORK IR SPEED DOME CAMERA



2MP NETWORK IR SPEED DOME CAMERA

2MP 25x IR NETWORK SPEED DOME, 12V&PoE

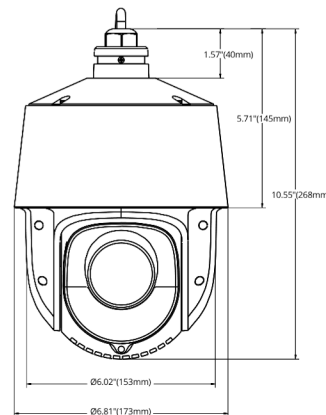
The AVC-PHN21X25LW camera is a 2MP Network Camera using Infinite-Star™ technology, with an ultra-low lux sensitivity, providing crisp color images of the environment even at night. Featuring powerful optical zoom and accurate pan/tilt/zoom performance, the camera provides a wide monitoring range and great detail. The camera delivers 2MP full high definition resolution at 25/30fps. The camera is equipped with smooth control, high quality image, and good protection, meeting compact size demands of video surveillance applications.

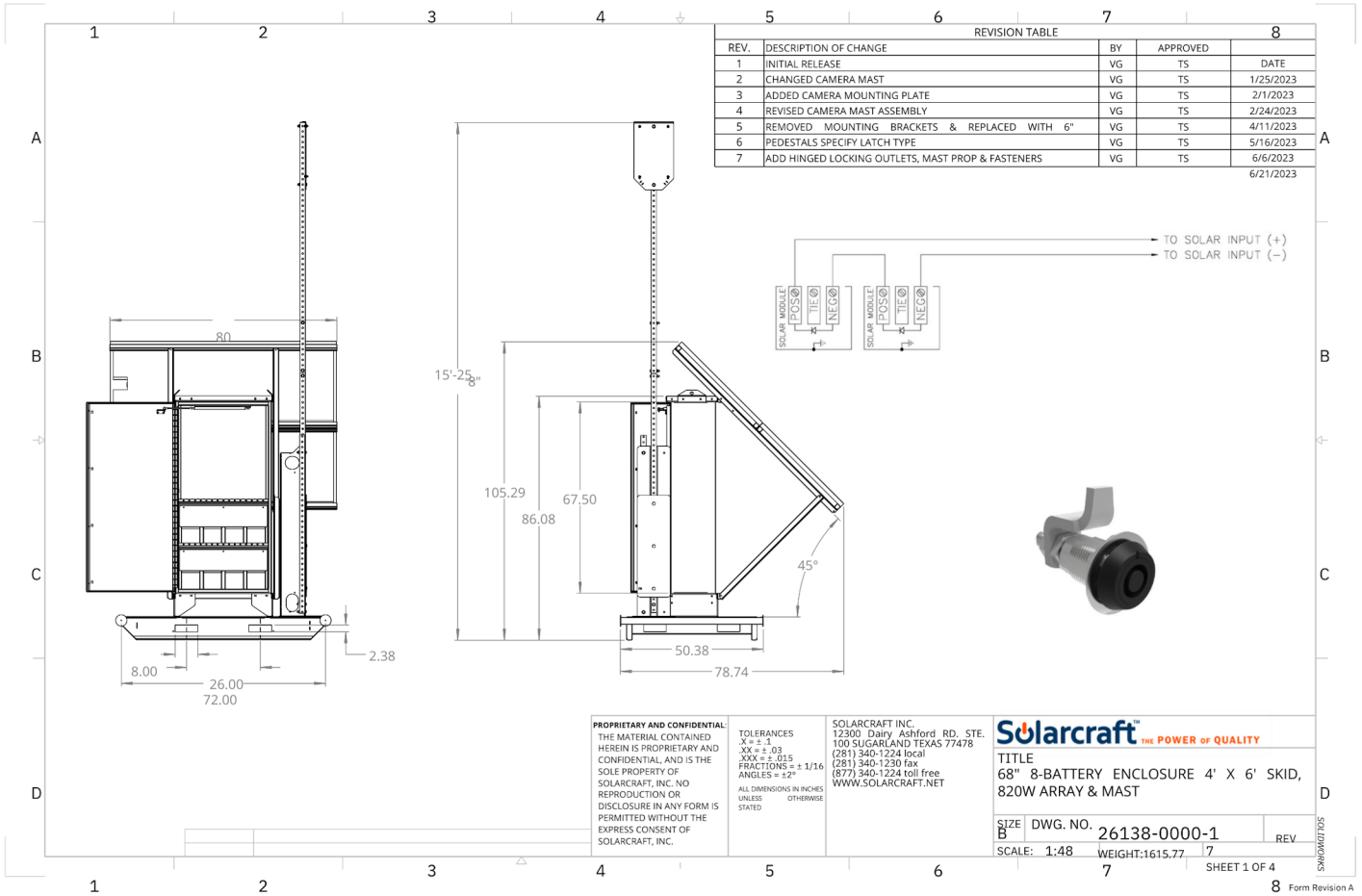
FUNCTIONS

- 1/2.8" Progressive Scan CMOS
- Up to 1920 x 1080 Resolution
- Min. illumination: Color: 0.005 Lux@(F1.6, AGC ON) / B/W: 0.001 Lux@(F1.6, AGC ON) / 0 Lux with IR
- 25x Optical Zoom, 16x Digital Zoom
- 120 dB WDR, 3D DNR, Smart IR
- Up to 150m IR distance
- Smart H.265/H.264 video compression
- IP66, -30°C~55°C, ADC12 + PC/GF
- PoE+ (802.3.at, class 3) and DC12V
- ONVIF, API and SDK
- NDAA Compliant
- Includes wall mount (AVM-PT-WMT-N20)

DIMENSIONS

Unit: inch (mm)





REV.	DESCRIPTION OF CHANGE	BY	APPROVED	DATE
1	INITIAL RELEASE	VG	TS	
2	CHANGED CAMERA MAST	VG	TS	1/25/2023
3	ADDED CAMERA MOUNTING PLATE	VG	TS	2/1/2023
4	REVISED CAMERA MAST ASSEMBLY	VG	TS	2/24/2023
5	REMOVED MOUNTING BRACKETS & REPLACED WITH 6\"/>	VG	TS	4/11/2023
6	PEDESTALS SPECIFY LATCH TYPE	VG	TS	5/16/2023
7	ADD HINGED LOCKING OUTLETS, MAST PROP & FASTENERS	VG	TS	6/6/2023
				6/21/2023

PROPRIETARY AND CONFIDENTIAL:
THE MATERIAL CONTAINED HEREIN IS PROPRIETARY AND CONFIDENTIAL, AND IS THE SOLE PROPERTY OF SOLARCRAFT, INC. NO REPRODUCTION OR DISCLOSURE IN ANY FORM IS PERMITTED WITHOUT THE EXPRESS CONSENT OF SOLARCRAFT, INC.

TOLERANCES
X = ± .1
XX = ± .03
XXX = ± .015
FRACTIONS = ± 1/16
ANGLES = ± 2°
ALL DIMENSIONS IN INCHES UNLESS OTHERWISE STATED

SOLARCRAFT INC.
12300 Dairy Ashford RD. STE. 100 SUGARLAND TEXAS 77478
(281) 340-1224 local
(281) 340-1230 fax
(877) 340-1224 toll free
WWW.SOLARCRAFT.NET

Solarcraft THE POWER OF QUALITY

TITLE
68" 8-BATTERY ENCLOSURE 4' X 6' SKID, 820W ARRAY & MAST

SIZE DWG. NO. 26138-0000-1 REV
SCALE: 1:48 WEIGHT:1615.77 SHEET 1 OF 4

SOLARCRAFT, INC.